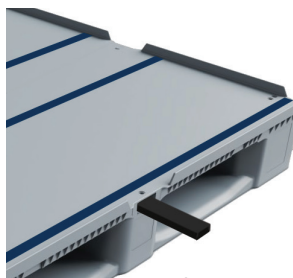
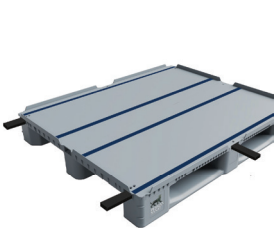
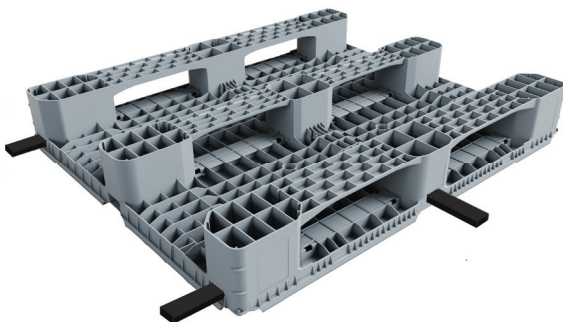
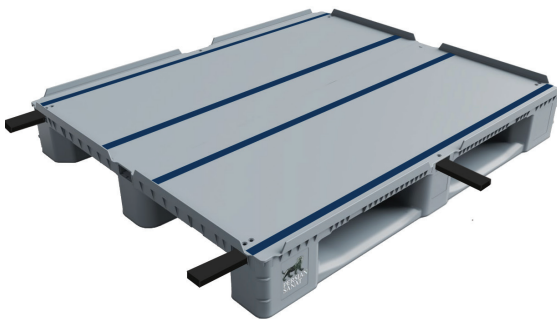


IP5 (H-type profiles)

IP group of pallets are suitable for heavy duty processing at warehouses and due to having different types of runners, which can also be Ahave become appropriate for racking systems. Additionally variety of options are offered based on customers needs. options are as follow:

- IP5 pallet can be custom-made to particular needs with a wide range of customization choices.
 - Simple washing and cleaning due to its closed deck.
 - It can be optimized to fit transports and mechanized systems.
 - It has anti-slip plugs or strips made of rubber
 - Also, it has 3 types of safety rims (7-22 mm)
- In addition, reinforcement profiles option and different types of runners, make IP5 pallet capable of racking systems.



H-type Reinforcement Profiles

Anti-Slip Strips



POWER OF QUALITY



PERSIAN SANAT

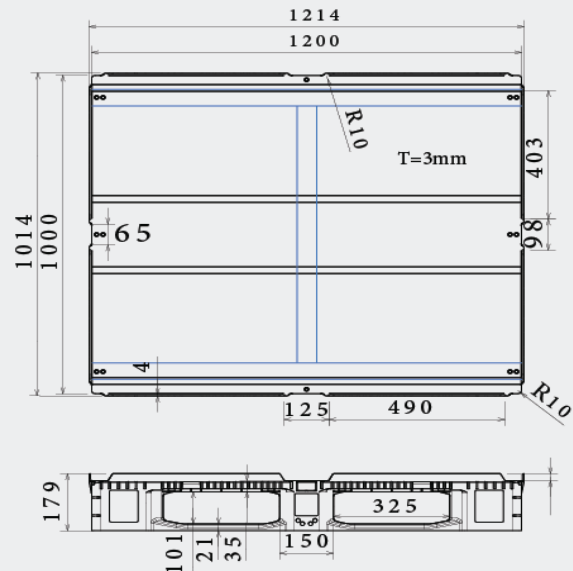
Art No.

PS-1210-IP5-3R-3P
Previous Name

Net weight (kg)	21 ± 0.5
Bottom type	3 Runners
Dimension (mm)	1200×1000×157
Temperature stability (°c)	-20 To +40
Static load (kg)	5000
Dynamic load (kg)	1750
Racking load (kg)	1000
Reinforcement profiles	3
Loading quantities (pcs/approx.)	364 496
Surface type	Closed
Safety rims (mm)	7-22
Material	HDPE
Pallet color	Other colors on request
Logo option	Print & Embossment

the load capacities are based on an evenly distributed loads and it can vary according to the type of load.

Container 40 HC
 Jumbo Truck



All dimensions may vary ± 5mm due to production process and raw materials characteristics.