

PERSIAN SANAT

HP 1

(Five reinforcement profiles)



PERSIAN SANAT

Art No.
PS-1208-HP1-5P
 Previous Name
HP1208/V2/5P

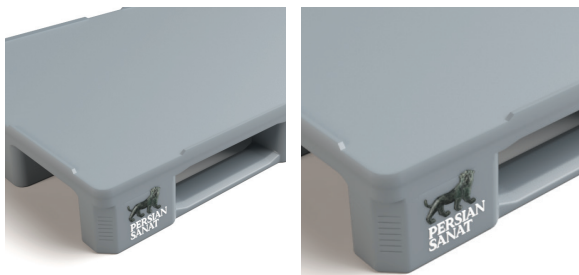
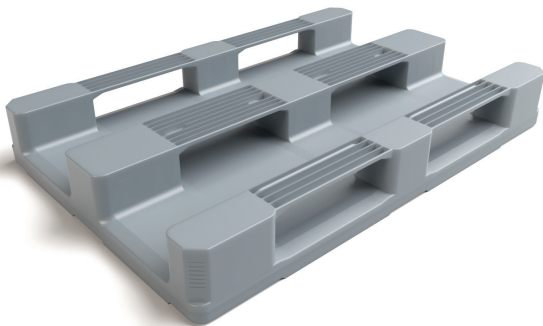
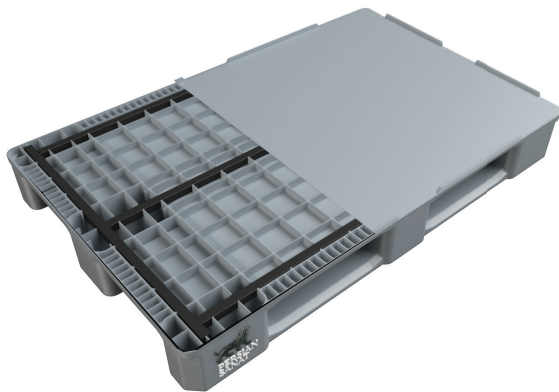
This type of pallet has struck a perfect balance between mechanical performance and health requirements. This pallet is considered standard in many industries across Europe. This fully closed pallet has no cavities and ribs, so water ingress and dust accumulation is impossible. It is very easy to clean.
 Patented welding seam of top and bottom deck ensures highest impact resistance, breaking strength and solid wall thickness
 High load bearing capacity
 outstanding bending strength, ideal for roller conveyors or automated high rack systems
 All runners have chamfered edges on both sides for ideal use with fork lift trucks.



This type of pallet with integrated reinforcement profiles is an ideal pallet in the heavy-duty category. Its strength and durability make it suitable for high racking systems and automated process.



The material used to manufacture this type of pallet is food-grade.



Capability of using forklift and pallet jack

Logo print or embossment

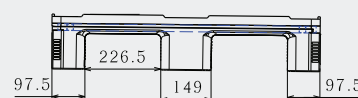
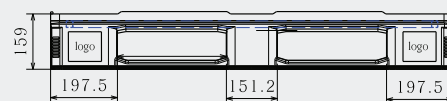
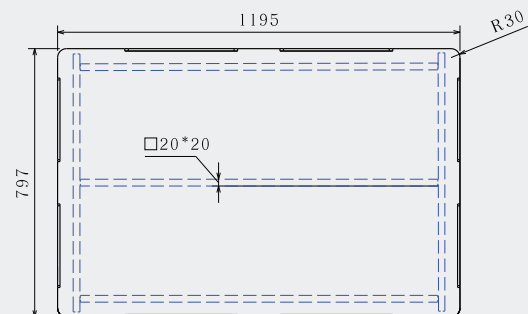


POWER OF QUALITY

Net weight (kg)	23.5 ± 0.5
Bottom type	3 Runners
Dimension (mm)	1200×800×160
Temperature stability (°c)	-20 To +30
Static load (kg)	7500
Dynamic load (kg)	1750
Racking load (kg)	1750
Reinforcement profiles	5
Loading quantities (pcs/approx.)	550 644
Surface type	Closed
Safety rims (mm)	7
Material	HDPE
Pallet color	Other colors on request
Logo option	Print & Embossment

the load capacities are based on an evenly distributed loads and it can vary according to the type of load.

Container 40 HC
 Jumbo Truck



All dimensions may vary ± 5mm due to production process and raw materials characteristics.